

Don't see what  
you're looking for?

**Just ask!**

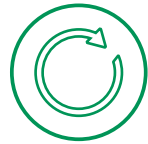


## Recycled Plastic Lumber, Furniture, & Amenities



[polyscape.com](https://polyscape.com)

Durable Design.  
Sustainable Choice.



**SUSTAINABLE**

Made with upcycled plastic from our closed loop manufacturing processes. Visit [TagBack.com](https://tagback.com) to learn more!



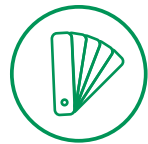
**LOW MAINTENANCE**

Offers durability and ease of care. Its weather-resistant properties make it suitable for various outdoor applications.



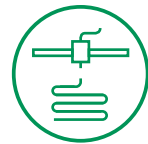
**MADE IN THE USA**

Proudly designed and manufactured in Worthington, MN. This ensures high-quality production and supports local craftsmanship.



**COLOR OPTIONS**

13 color options, with the possibility of custom color options to suit specific preferences and design needs.



**CUSTOMIZATION**

Engraving and epoxy options add a distinctive touch, making them not only functional but also uniquely yours.



**WARRANTY**

A warranty that provides peace of mind to customers, guaranteeing that the product will perform as expected under normal use.  
**Limited 20 Year Warranty**



**MATERIAL DISCLOSURE** PolyScape plastic lumber is made from a blend of recycled and virgin plastic resins. Recycled content may vary by batch depending on availability and performance requirements. For more information on recycled content, visit [www.polyscape.com/resources](https://www.polyscape.com/resources)

## Trash to Treasure

We believe plastic waste can be **beautiful, useful, and bring people together** – all at once.

But it needs help to get there.

That’s where we come in. For 60 years, we’ve manufactured twist ties, bag closures, and hang tags.

Consumers wanted to recycle our products, but couldn’t due to limitations of the American recycling system.

**So, we designed our own.**

Since 2019, we’ve collected consumer returns through the TagBack® program. We also capture our own internal waste through a closed-loop manufacturing process.

The result is sustainable, versatile plastic lumber you can’t find anywhere else.



\* Limited Availability. Not Recyclable in California.



Visit [TagBack.com](https://tagback.com) to learn more!



Pergola shown in Black ●

## Outdoor Structures

Versatile, maintenance-free fencing, posts, pergolas, and other unique outdoor structures enhance any space.

## Decking Substructure

Build a solid foundation for togetherness. Unlike wood, PolyScape® plastic lumber won't rot or decay in the presence of dirt, moisture, or bugs.



# The Strongest Materials in the Industry

Our composite lumber is an environmentally-friendly alternative to traditional building materials like wood and steel.

It reuses existing materials, eliminating the need for trees to be cut down. Our lumber is not green treated and uses no chemicals.

Choose from a variety of board lengths, profiles, and finishes to build structures exactly as you see fit.



## Fencing + Privacy

Custom-build a beautiful fence fit to your taste. Enhance outdoor privacy in a way that's as stylish as it is functional.

# Three Grades for Best Performance

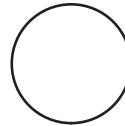
**Utility Grade** Landscaping, edging, nailer board, general construction, bumpers and guards, residential outdoor furniture.

**Performance Grade** Site amenities, general construction, bollards, commercial & premium outdoor furniture, deck and dock surfaces.

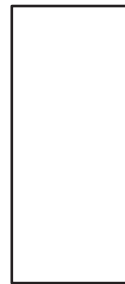
**Ultra Grade** (Fiberglass Reinforced) Structural construction, deck and dock substructures, posts and beams, architectural construction.

Nominal Size	Actual Size	Length (up to max)	Edge Profile
3/4 X 4	.7187 X 3.4375	10'	Square Corner
3/4 X 6	.7187 X 5.4375	10'	Square Corner
5/4 X 3T	1.2187 X 3	10'	True 3", Square Corner
5/4 X 3T	1.2187 X 3	12'	True 3", Round Corner
5/4 X 4	1.2187 X 3.4375	10'	Square Corner
5/4 X 4T	1.2187 X 4	12'	Round Corner
5/4 X 6	1.2187 X 5.4375	12'	Square Corner
2 X 2	1.5 X 1.5	12'	Round Corner
2 X 3	1.5 X 2.5	12'	Round Corner
2 X 4	1.5 X 3.4375	12'	Square Corner
2 X 4	1.5 X 3.4375	16'	Round Corner
2 X 6	1.5 X 5.4375	16'	Round Corner
2 X 6	1.5 X 5.4375	16'	Square Corner
2 X 8	1.5 X 7.4375	10'	Square Corner
2 X 10	1.5 X 9.25	16'	Round Corner
2 X 12	1.5 X 11.25	16'	Square Corner
2 X 12	1.5 X 11.25	16'	Round Corner
2T X 2T	2 X 2	10'	True 2", Round Corner
3T X 3T	3 X 3	16'	True 3", Round Corner
3 X 4	2.5 X 3.5	12'	Round Corner
3 X 4 Bullnose	2.5 X 3.5	12'	Bullnose
3 X 10	2.5 X 9.25	16'	Round Corner
4 X 4	3.5 X 3.5	16'	Round Corner
4 X 5	3.5 X 4.5	16'	Round Corner
4 X 6	3.4375 X 5.4375	16'	Round Corner
4.25T X 4.25T	4.25 X 4.25	16'	Round Corner
6 X 6	5.4375 X 5.4375	16'	Round Corner
4 Round	3.9375 Dia	8'	Round
6 Round	5.9375 Dia	10'	Round

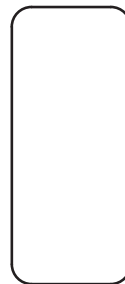
Round



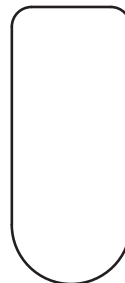
Square Corner



Round Corner



Bullnose



## Looking Good

From planter boxes to stairs and shower benches, we're continually impressed by the creative projects our customers build with PolyScape.

Locally sourced and available in smaller quantities, our products are perfect for your next DIY or contracted project.

Custom sizes upon request and new sizes added regularly.

# Inviting you Outdoors

Enjoy the outdoors year-round with functional and comfortable solutions built to withstand the elements.

Two-tone color schemes add depth and style, elevating the chair aesthetic.



**Bar Height Chair**  
Dimensions: 34"D x 31"W x 58"H  
MSRP \$640  
Shown in Black & Taupe ●●

**8' Table**  
Dimensions: 97"L x 43"W x 42"H  
MSRP \$1245  
Shown in Black & Taupe ●●



**Bar Height Chair**  
Dimensions: 31"D x 36"W x 58"H  
MSRP \$640  
Shown in Brown & Teak ●●

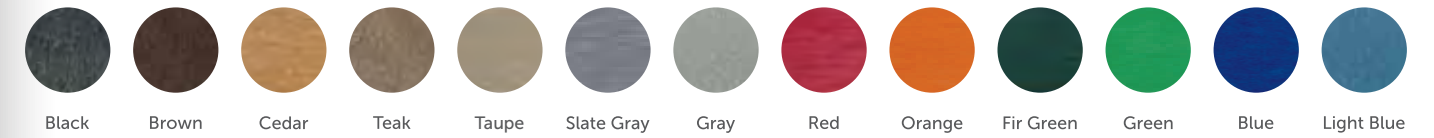
**Pub Table**  
Dimensions: 32"L x 32"W x 42"H  
MSRP \$495  
Shown in Brown & Teak ●●



**Deck Chair**  
 Dimensions: 38"D x 31.5"W x 41"H  
 MSRP \$495  
 Shown in Brown & Teak ●●

## Take it Easy

Our kits include pre-cut, pre-drilled pieces, and all necessary hardware. That means easy assembly for users, even with minimal tools or experience.



## Bright & Bold? Or Classic Neutrals? You've got Options.

13 color options, with the possibility of custom colors to suit specific preferences and design needs.



**Bar Height Chair**  
 Dimensions: 31"D x 36"W x 58"H  
 MSRP \$640  
 ● Shown in Slate Gray



**Arm Chairs**  
 Dimensions: 25.3"D x 28"W x 36"H  
 MSRP \$445  
 ● Shown in Brown



Woodgrain  
 Shown in Cedar ●



Linen  
 Shown on Red ●

## Level Up

Woodgrain texture mimics a more traditional wood appearance for an enhanced overall aesthetic-appeal.

Linen texture offers a soft, woven finish that adds subtle depth and a refined tactile look.



## Make it Unique

Engraving and epoxy options add a distinctive touch, making them not only functional but also uniquely yours. A great option for memorial benches.



**Classic Park Bench**  
 Dimensions: 72"L x 22.5"D x 32"H  
 With or without arm rails • More sizes available  
 MSRP Starting at \$1295  
 Shown in Teak ●

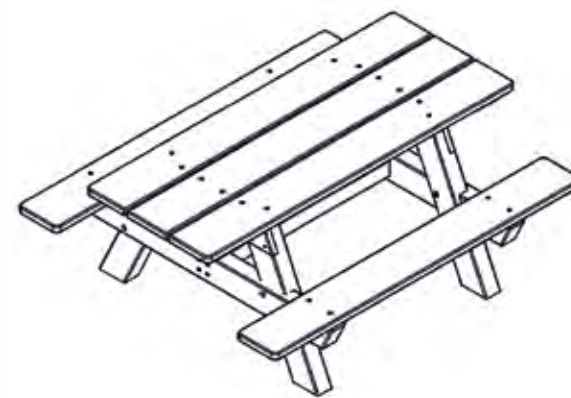
## No Sweat Amenities

With our plastic lumber, you can enjoy low-maintenance solutions that are built to last, saving you time and money in the long run.

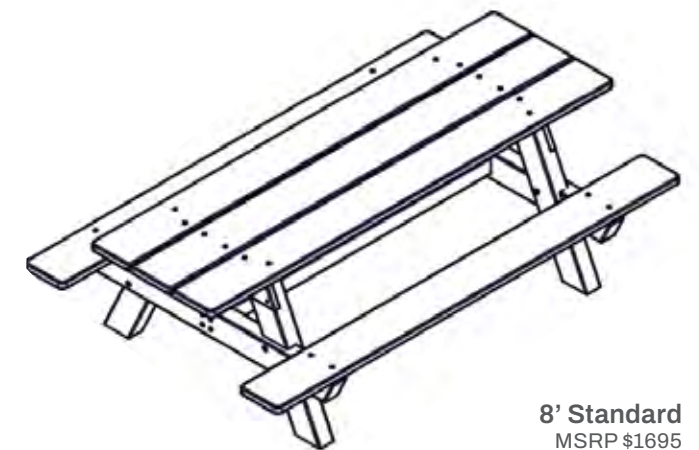
PolyScape picnic tables offer durable, low-maintenance seating for any outdoor space. Available in hex, 6', and 8' standard designs, they're built to last in any setting.



**Hex Table**  
 Dimensions: 72"L x 72"W x 28"H  
 Umbrella not included  
 MSRP \$1495  
 ● Shown in Gray



**6' Standard**  
 MSRP \$1495



**8' Standard**  
 MSRP \$1695

## Bollards & Posts

Create aesthetically-pleasing barriers for enhanced safety and traffic control. Choose from a square or round look. Optional pre-drilled holes make stringing rope a breeze.

Nominal Size	Length (up to max)
6" x 6"	12'
6" x 6"	6'
4" Round	8'
6" Round	10'



**Bollard**  
4' - 6"x6" with beveled top  
2 rope holes  
● Shown in Teak



**Bollard**  
4' - 6" Round  
2 rope holes  
● Shown in Gray

## Signage

Signs that maintain their clarity and strength over time for reliable, long-lasting performance, with plastic lumber that resists paint absorption and makes spray-painted graffiti easier to clean than other building materials.

### Designer Series

Our Designer Series allows printing directly on plastic lumber, providing a durable solution for directing, informing, or branding in any environment.

## Flexible Board

Engineered for demanding environments, this durable and flexible material absorbs impact by bending and returning to its original shape. Unlike rigid materials that crack or splinter, Softboard delivers resilient, long-lasting performance with minimal maintenance, making it ideal for a wide range of applications.



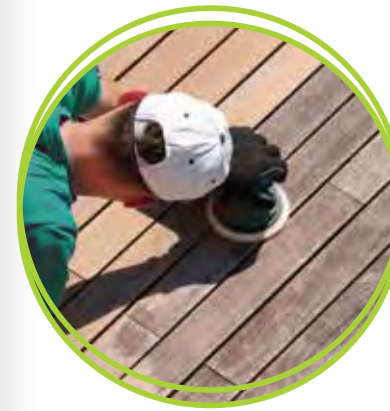
## Weatherproof & Rot Proof

Built for year-round enjoyment in any climate. No need to treat, cover, or store elsewhere. Unlike wood or steel, plastic lumber won't rot, rust, or decay.



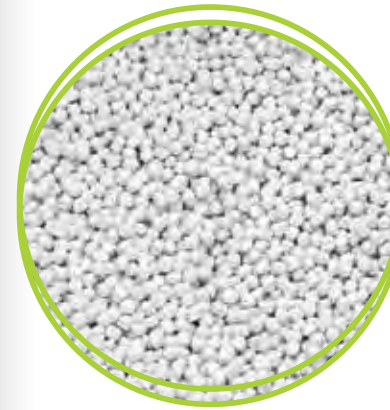
## Low Maintenance

Built to last without the hassle. No constant sanding, painting, or staining. Plastic lumber is one of the only building materials that stays looking nice year after year!



## No Chemicals

We reuse plastic to create a durable lumber that naturally withstands the elements and insect pressure without added chemicals. Our lumber is never green treated.



## UV Resistant

From bright and bold to classic neutrals, whatever color you choose is designed to retain its color throughout each season with minimal fading compared wood.

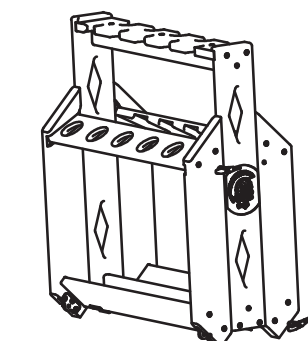
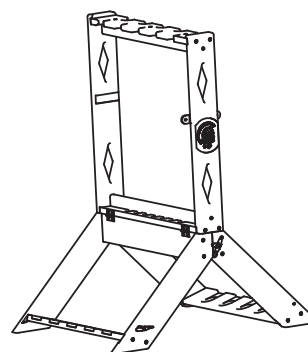
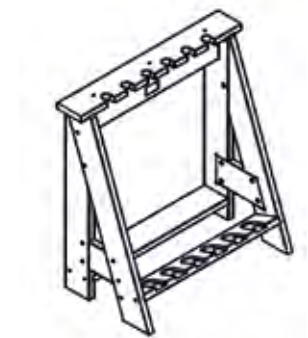




**Gun Rack**  
 Dimensions: 36"D x 31"W x 37"H  
 A variety of size and style options available  
 MSRP Starting at \$315  
 Shown in Brown ●

## Functional Gun Racks

PolyScape gun racks are designed to meet a variety of function & storage needs for indoor and outdoor use. Options include single-sided, double-sided, portable, and foldable.



## Embrace the Great Outdoors

Create everything you would with wood—enhanced by superior durability and engineered to endure the elements. Ideal for mailbox stands, golf course signage, and more.





"We greatly appreciate the fact that we do not need to worry about the tough winters putting wear on the gun racks and that we will not need to spend staff's time sanding down and staining the gun racks each spring."

**Nikki (Peitz) Flander • Marketing & Communications Specialist, Minnesota Horse & Hunt Club**

"The chairs are amazing! We had the family home over Labor Day weekend, and they were the chairs everyone chose to sit in first! They are especially nice for my 92-year-old mom to get in and out of!"

**Brenda Michelson • Ocheyedon, IA**



## Don't just take our word for it.



"Thank you to Bedford Industries for the seamless service when ordering our new Adirondack chairs. We love the classic look of them as well as the comfort and quality! And of course the fact that they are locally made is a plus!"

**Jon and Vieng Harvey • Worthington, MN**

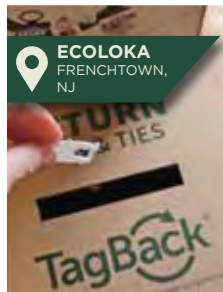


"We have been very satisfied with the chairs. They look great and are welcoming to us and our guests. Bedford's customer service and fulfillment process also went out of their way to meet our needs and expectations."

**Jared • Afton, VA**



\* Limited Availability. Not Recyclable in California.



# TagBack® Built Together

More than 300 retailers across the U.S. partner with the TagBack® program by placing drop boxes in their store, giving customers a convenient way to return ties & tags.

Once returns arrive at Bedford, they're sorted, separated, & either used in PolyScope or sold to other recyclers as needed.

Through TagBack, our customers, retailers, & consumers help build PolyScope.

“The TagBack program is pretty cool because it allows consumers to take tags off the products that we sell and drop them into a collection bin right when they are checking out.

When those TagBack boxes get full, they go back to Bedford and then the tags can get shredded and get upcycled into other products.

Finding a partnership like the one we have with Bedford and their TagBack program really makes us excited because it allows us to take that next step on our sustainability journey.

Being able to take the tags and upcycle them into another product makes us excited because we feel like taking care of the earth – both for us and for our dogs – is an important part of why we are in business.”

**Dan Goodnow**  
Chief Executive Officer  
Tuesday's Natural Dog Co.



View our  
Collaboration Video



Display Stand  
Dimensions: 25"W x 24"D x 56"H  
MSRP \$350  
Custom color

# Upcycled Display Stand



# Building Community

Bedford is one of the largest companies in our rural Southwest Minnesota town. Employees not only live in Worthington, but commute from the region, including South Dakota and Iowa.

Investing in the communities our employees live has always been important, and PolyScape has given us a unique way to be further involved in local celebrations and improve amenities.

We've donated chairs to a local youth service organization, newly-constructed city pool, and set up activity zones with tables, chairs, and corn hole boards during local celebrations.



We **Make.**  
We **Cut.**  
We **Design.**  
We **Build.**  
We **Do More.**



[polyscape.com](https://polyscape.com)

Bedford • 1659 Rowe Ave • Worthington, MN 56187  
Ph: 1-507-376-4136 • Toll Free in US & Canada: 1-877-BEDFORD (233-3673)  
[bedford.com](https://bedford.com) • [elastitag.com](https://elastitag.com) • [closeit.com](https://closeit.com) • [tagback.com](https://tagback.com)

